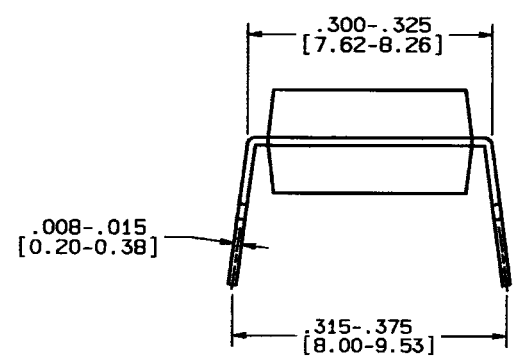
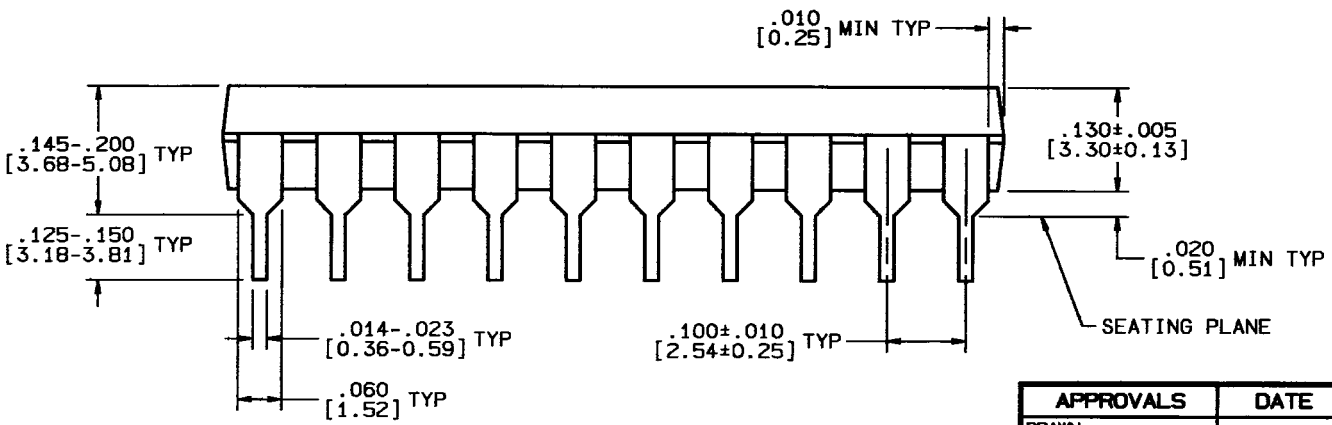
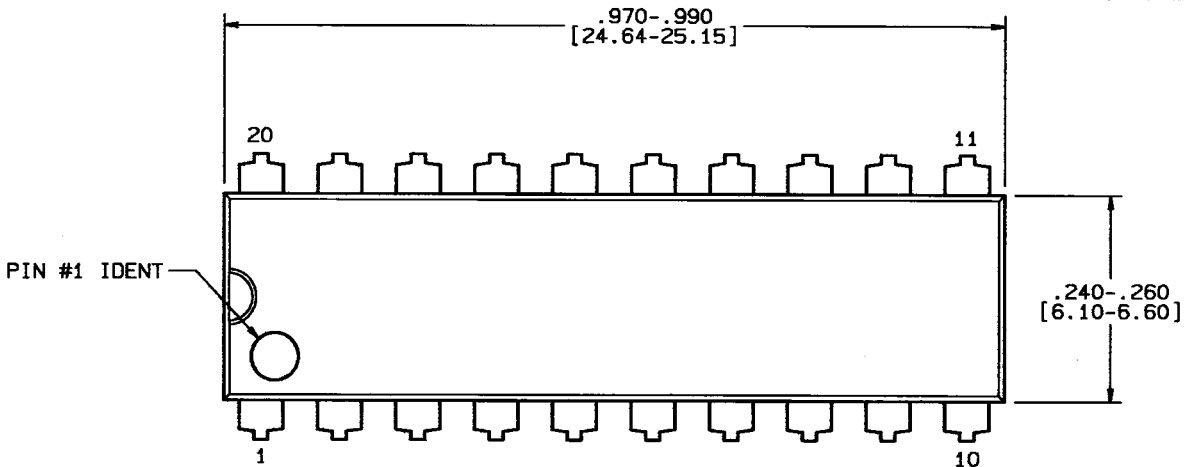


REVISIONS				
LTR	DESCRIPTION	E.C.N.	DATE	BY/APP'D
A	RELEASE TO DOCUMENT CONTROL	09634	04/27/93	DEG/DP



- NOTES: UNLESS OTHERWISE SPECIFIED
- STANDARD LEAD FINISH:
200 MICROINCHES MINIMUM LEAD/TIN: 37/63
ON ALLOY 42 OR COPPER.
 - JEDEC PUBLICATION MS-001, OPTION AE, ISSUE C,
DATE 11/89.

CONTROLLING DIMENSION: INCH

APPROVALS	DATE	NATIONAL SEMICONDUCTOR CORPORATION			
DRAWN D. E. GRADY	04/27/93	2900 Semiconductor Drive, Santa Clara, CA 95052-8090			
DFTG. CHK. <i>M. J. Gray</i>	5/03/93	MOLDED DIP, 20 LEAD, .300 CENTERS			
ENGR. CHK. <i>D. J. ...</i>	5/03/93				
APPROVAL		SCALE N/A	SIZE B	DRAWING NUMBER MKT-N20B	REV A
 PROJECTION INCH [MM]		DO NOT SCALE DRAWING		SHEET 1 OF 1	